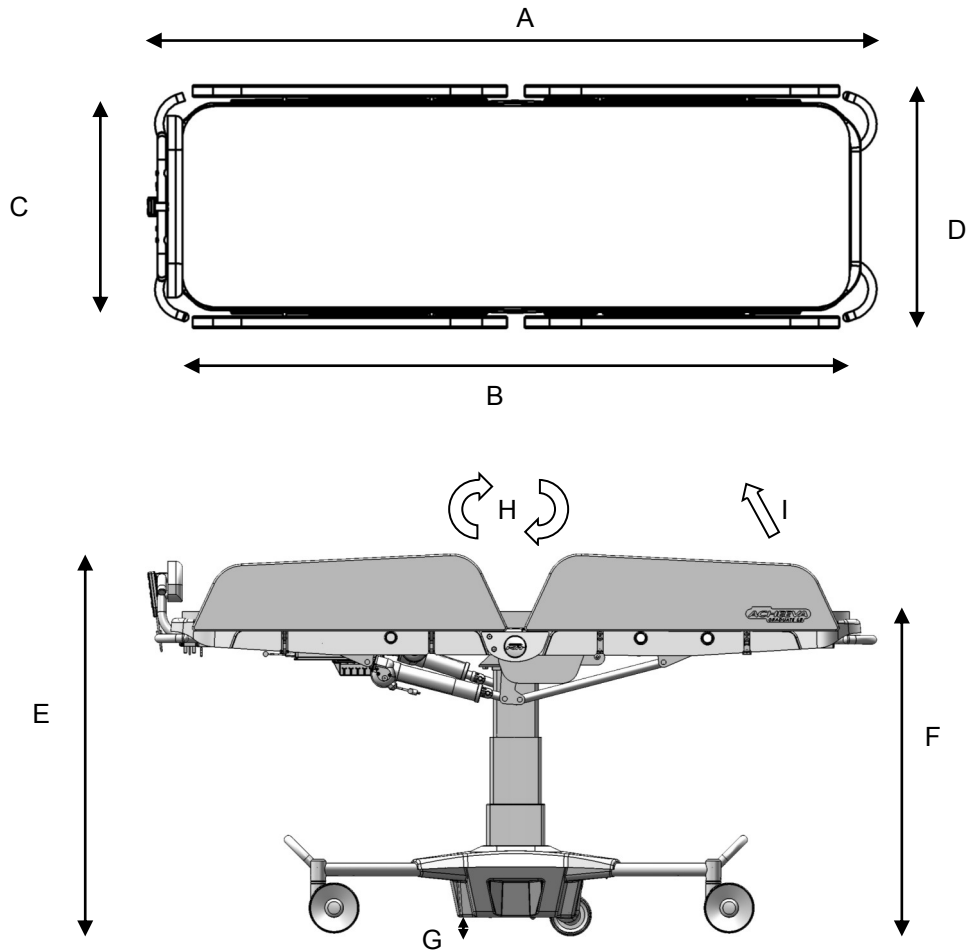


ACHEEVA GRADUATE AND STUDENT COMPARISON CHART



DIMENSION	GRADUATE(cm)	STUDENT(cm)
A— OVERALL LENGTH	218	165
B—MATTRESS LENGTH	208	155
C—MATTRESS WIDTH	60	60
D—OVERALL WIDTH	70	70
E—OVERALL HEIGHT RANGE	76-116	76-116
F—MATTRESS HEIGHT RANGE	60-100	60-100
G—GROUND CLEARANCE	4	4
H—TILT RANGE	+/-20°	+/-20°
I—RECLINE RANGE	+50°, -10°	+50°, -10°

*Please note there is no central wheel on the Acheeva Student