

HOIST ENVIRONMENTAL STATEMENT

The Skyframe overhead hoist has been designed for use in both wet and dry environments.

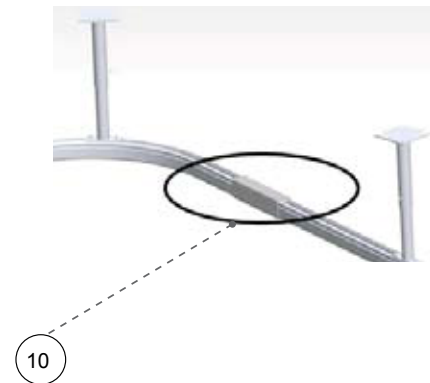
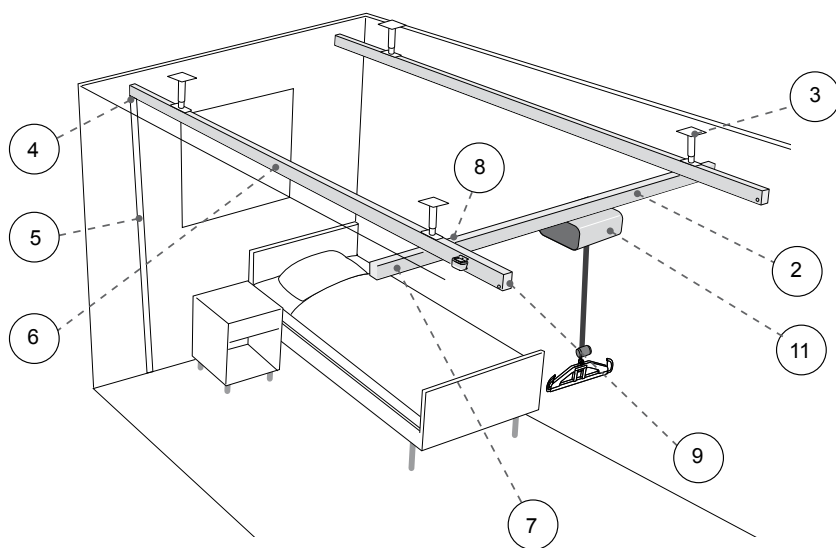
All components are either manufactured from corrosion resistant material or are appropriately treated during the production process to withstand normal atmospheric conditions.

If the overhead hoist is to be used within a pool area, stringent periodic inspections are required as the excessive levels of Chlorine and other chemicals could cause the pool lift to corrode.

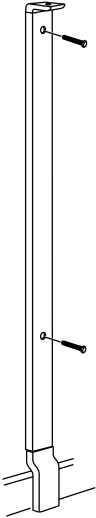
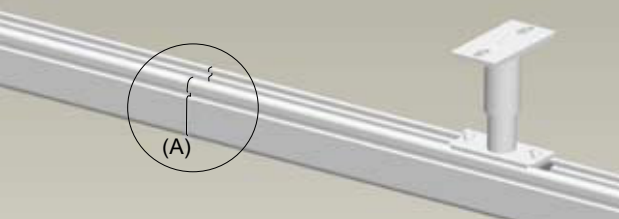
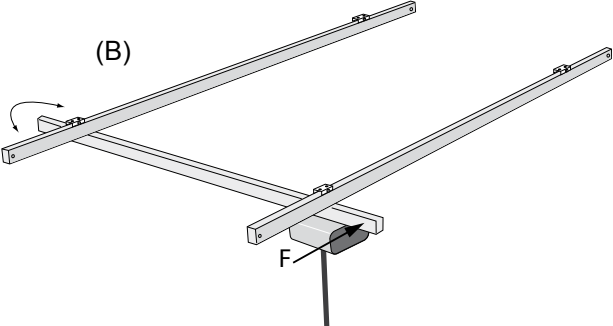
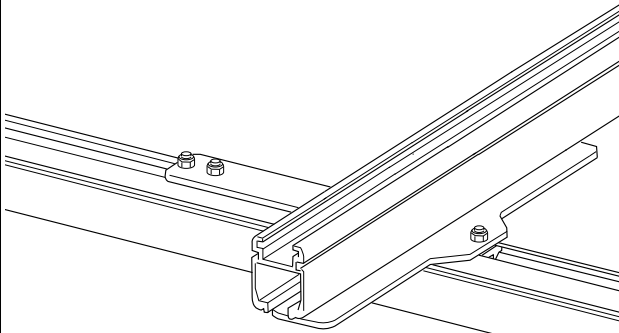
If corrosion is visible on any part of the rail system or hardware, suspend the use of the hoise until repairs are made by a qualified technician.

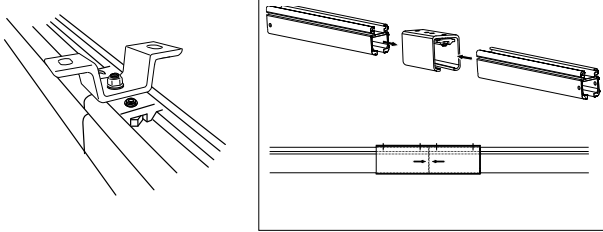
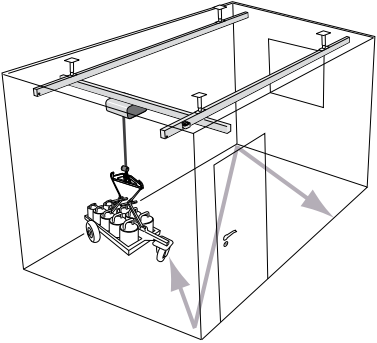
If the pool hoist is not regularly inspected by a qualified technician then exposure to such an extreme environment would render the product warranty null and void.

The inspection procedure is available in the Servicing Manual and on our wesite: www.symmetrikit.com



<p>1 General inspection</p> <ul style="list-style-type: none"> • Verify that there is a valid Installation Certificate for the overhead lift system. • Check that the distance between the installation points and the overhang match the instructions for the rail and the max load for installed lift unit. <i>See Tables in Overhead System Installation Hand Book.</i> • Check that the overhead lift system has no visible damage, corrosion or deformation. • Check a minimum of 20% of the fixing points to make sure that bolts and nuts are tight. Use the appropriate inspection method for the bolts. (This is given by the supplier of the bolt.) 	
<p>2 Labels / Signs</p> <ul style="list-style-type: none"> • Check S/N on the decal. • Make sure the maximum load at the decal on the rail, not exceed the maximum load for the lift unit installed in the system. 	
<p>3 Ceiling / Pendant / Ceiling Fixture</p> <ul style="list-style-type: none"> • Check a minimum of 20% (at least two) of the fixing points to make sure that bolts and nuts are tight. (See 1 General inspection) 	
<p>4 Wall / Wall Bracket</p> <ul style="list-style-type: none"> • Check that there is no play between the wall and the bracket. • Check the fixing between the rail and the wall bracket. 	

<p>5 Upright Support</p> <ul style="list-style-type: none"> • Make sure that there is no play between the fixing points in the wall and the upright support. • Check the fixing between the wall and the upright support. • Check the swilability of the floor below the upright support to transfer the maximum load. 	
<p>6 Primary rail, (straight rail, traverse)</p> <ul style="list-style-type: none"> • Make sure there are at least two fixings per rail. • Check that joint gap is max 2 mm / 0,08 inch. (A) • Make sure that the rail joint is supported by a fixing or a proper joint section. 	
<p>7 Secondary Rail</p> <ul style="list-style-type: none"> • Check that the drawing affect in the system is acceptable, by placing a force (F) on one side. The secondary rail should then run freely. (B) 	
<p>8 Traverse Carriage</p> <ul style="list-style-type: none"> • Check that the carriers are functioning correctly without exercise. Listen for abnormal sounds from movable parts. 	

9 End stop	
<ul style="list-style-type: none"> • Check that safetythrough bolts with locking nuts are mounted. • Check that the end stop is correctly mounted. 	
10 Rail Joint (in rail, pendant and ceiling bracket)	
<ul style="list-style-type: none"> • Check the Rail Joint to make sure that bolts and nuts are tightened and there is no play between the parts. • Make sure the Rail Joint is assembled with the joints in the middle. 	
11 Lift motor	
<ul style="list-style-type: none"> • See Periodic inspection for the particular lift in the rail system. Available at www.partner.liko.net 	
12 Maximum load rail system	
<ul style="list-style-type: none"> • Carry out load test with lift motor carriages and rail system, using maximum load across the whole lifting area, by manoeuvre the lift along each primary rail, and then in a Z pattern. • Listen for unusual noises and vibrations. 	
13 Instructions / Instruction guide	
<ul style="list-style-type: none"> • Make sure Instruction guide or Quick reference guide, to the lift unit, are available. 	