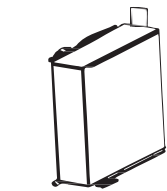
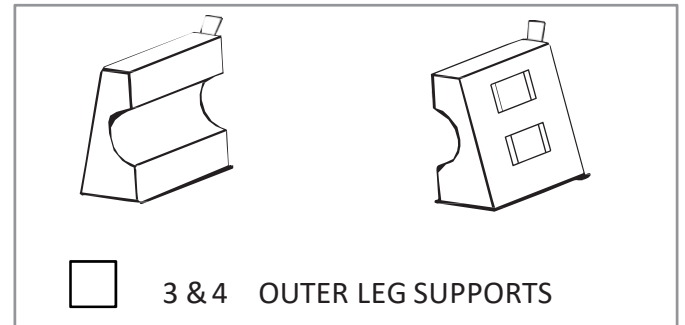
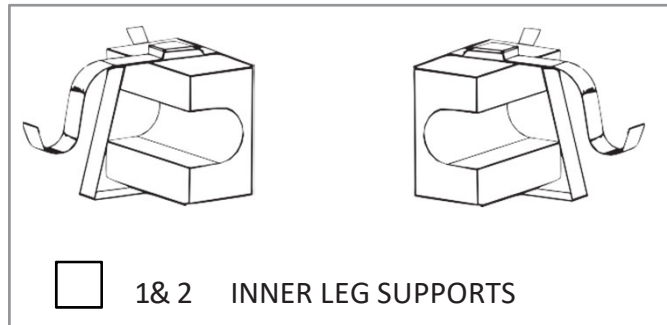


Custom Knee Cosy Order Form

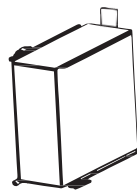
Size required: Small Medium Large

Format: Solid Assessment Kit

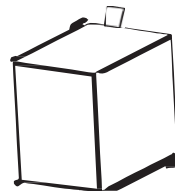
Knee Cosy Components: please choose from the following



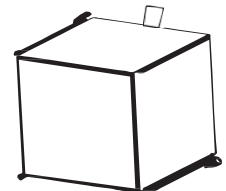
5
ABDUCTOR BLOCK



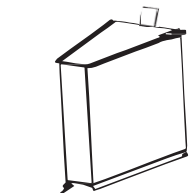
6
ABDUCTOR BLOCK



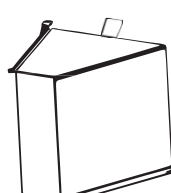
7
ABDUCTOR BLOCK



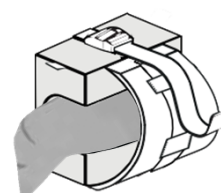
8
ABDUCTOR BLOCK



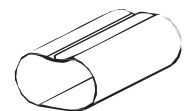
9
ABDUCTION WEDGE 1



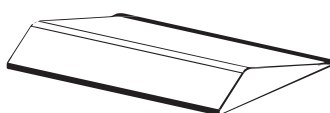
10
ABDUCTION WEDGE 2



LEG STRAPS
FOR ROLLING
KNEE BLOCK



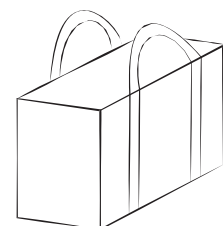
LEGWRAPS
10mm



MEDIUM RAMP
 LARGE RAMP



BED SECURING STRAPS



BAG
(for Assessment Kit only)



Custom Knee Cosy Order Form

	Small	Medium	Large
Assessment Kit			
Replacement components			
1,2,3 or 4			
5,6 ,7 or 8			
9 or 10			
Leg straps			
Leg wraps			
Ramp			
Bed straps			
Bag (Assessment only)			
Assessment Kit			
Modules Zipped	<i>Priced individually</i>	<i>Priced individually</i>	<i>Priced individually</i>

Total order value	
--------------------------	--

Notes:

.....

Therapist / R.E. _____

Date _____

Order No. _____

Contact name _____

Contact Tel. No. _____

Client name _____

Client Ref. _____

Delivery address _____

SA7619_1

